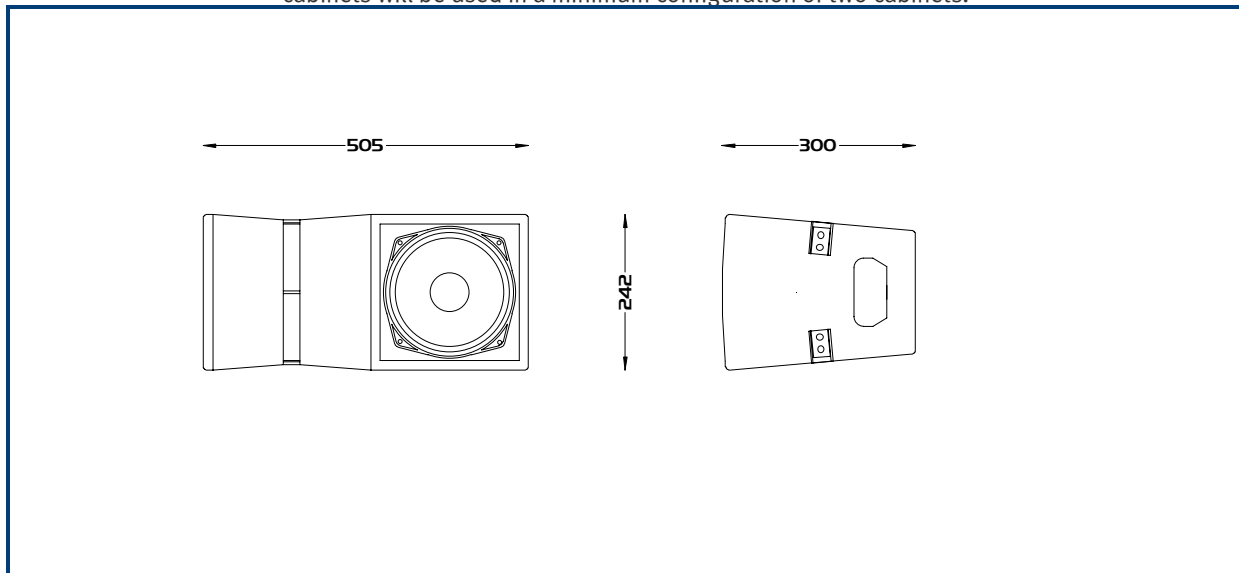




Ethos CA10 is an ultra compact fixed angle array enclosure. With horizontal coverage of 90° and vertical coverage of 10°, the cabinet contains an 8” Neodymium cone driver which is passively combined with two waveguide mounted 1” Neodymium compression drivers. With a cabinet impedance of 16 ohms a multi cabinet system can be driven from a single amplifier channel. System control is provided by the Logic Systems DP2140 controller. Each box has a central connection point which enables cabinets to be quickly and easily joined together with a link bar and ball Lok pin. Applications for Ethos CA10 include A/V presentation, church, theatre, discotheque installation or as a side hang for the bigger brother Ethos VA. Ethos CA10 can be used for vocal reproduction without the need for bass support or combined with the Nd115 or Nd215 bass cabinets when bass support is required. Ethos CA10 is the ultimate flexible product, it can be pole mounted, ground stacked, or combined into a flown array. The bass options can be used as the basis of a ground stack or flown above CA10 in an array. It is intended that Ethos CA cabinets will be used in a minimum configuration of two cabinets.



<b>Frequency Response:</b>	• 100Hz - 20kHz (With assisted alignment)
<b>Components:</b>	• Bass/mid: 1 off 8” neodymium cone driver. • HF: 2 off 1” exit neodymium compression drivers.
<b>Power handling:</b>	• 250w (Per cabinet)
<b>Sensitivity (1):</b>	• 103dB (Minimum two box configuration)
<b>Directivity:</b>	• 90° x 10° above 1kHz
<b>Impedance:</b>	• 16 ohm
<b>Construction:</b>	• 15mm Birch plywood
<b>Finish:</b>	• Water based textured black paint
<b>Connections:</b>	• 2 x Neutrik NL4 connectors • 1+/1- input 2+/2- n/c
<b>Dimensions:</b>	• 505mm (W) x 242mm (H) x 300mm (D)
<b>Packaged Dimensions (2):</b>	• 640mm (W) x 680mm (H) x 420mm (D)
<b>Weight:</b>	• 15Kg

Cabinet	Handles	Tophat	M20 plate	Castors	Bracket Pt.	Inserts/Fly Points
<b>Ethos CA10</b>	2 off	Variable	No	No	No	Full integrated system

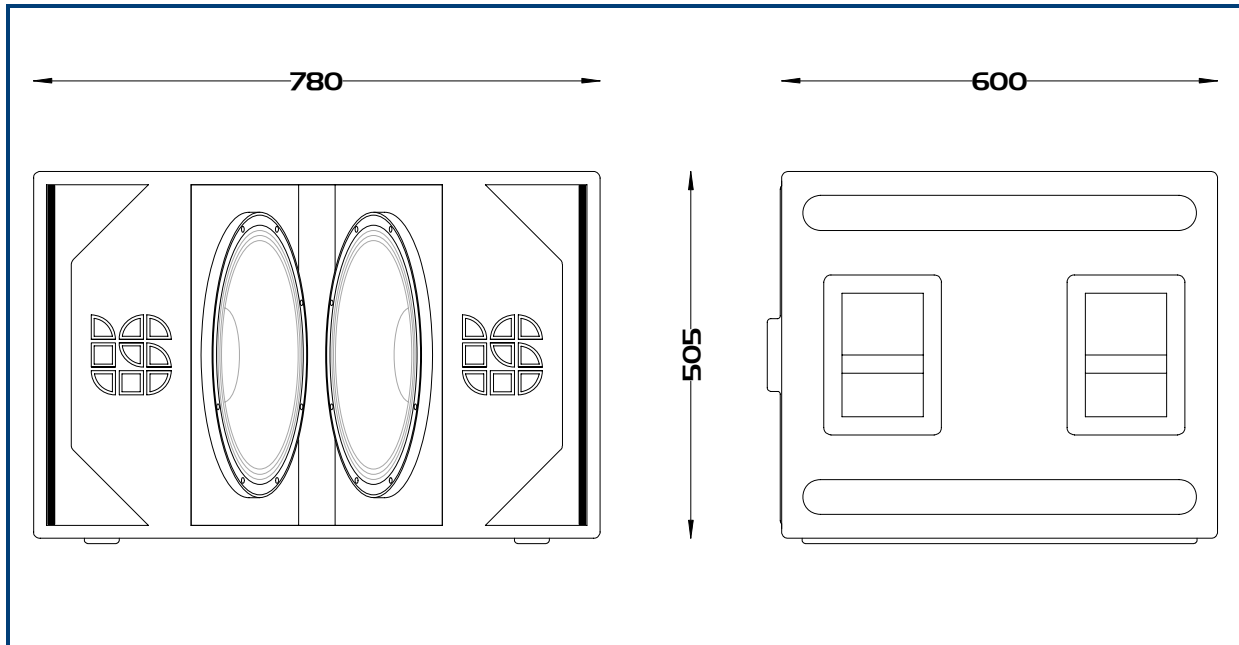
**Note:** (1) Sensitivity measured at 1 metre with 2.83V, using band limited pink noise.

(2) Please note that CA cabinets are supplied boxed in pairs.

E: sales@logicsystems.co.uk T: +44(0)1427 611791 w: www.logicsystems.co.uk



The Logic Systems Ethos Nd215 is a compact, high power, bass enclosure. It features two band pass loaded long throw, neodymium 15” bass drivers. The benefit of this configuration is the increase in band sensitivity over a conventional direct radiating construction, combined with a tight, punchy and controlled bass sound. The Ethos Nd215 is designed to be used as the bass element of an Ethos CA speaker system. It can be used with up to two Ethos CA pole mounted from the integral M20 plate, or as the basis of a ground stack using the Ethos CA fly frame and ground stack assembly. It can also be flown above an Ethos CA array using the integrated fly system. The Logic Systems DP2140 system controller contains presets for the bi-amp operation of the Ethos CA system.



<b>Frequency Response:</b>	<ul style="list-style-type: none"> <li>• 40Hz – 150Hz</li> </ul>
<b>Components:</b>	<ul style="list-style-type: none"> <li>• Bass: 2 x 15” cone drivers</li> <li>• HF: N/A</li> </ul>
<b>Power Handling:</b>	<ul style="list-style-type: none"> <li>• 2000w</li> </ul>
<b>Sensitivity (1):</b>	<ul style="list-style-type: none"> <li>• 102dB</li> </ul>
<b>Directivity:</b>	<ul style="list-style-type: none"> <li>• Omni-directional</li> </ul>
<b>Impedance:</b>	<ul style="list-style-type: none"> <li>• 4 Ohm</li> </ul>
<b>Construction:</b>	<ul style="list-style-type: none"> <li>• 18mm Birch plywood</li> </ul>
<b>Finish:</b>	<ul style="list-style-type: none"> <li>• Water based textured black paint</li> </ul>
<b>Connections:</b>	<ul style="list-style-type: none"> <li>• 2 x Neutrik NL4 (Main input:) 1+/- bass, 2+/- Aux input</li> <li>• 1 x Neutrik NL4 (Aux output:) 1+/- Aux output, 2+/- NC</li> <li>• Note: Aux output fed from main input on 2+/-</li> </ul>
<b>Dimensions:</b>	<ul style="list-style-type: none"> <li>• 505mm (W) x 780mm (H) x 600mm (D)</li> </ul>
<b>Packaged Dimensions:</b>	<ul style="list-style-type: none"> <li>• 635mm (W) x 930mm (H) x 730mm (D)</li> </ul>
<b>Weight:</b>	<ul style="list-style-type: none"> <li>• 57Kg (Dolly: 8 Kg)</li> </ul>

Cabinet	Handles	Tophat	M20 plate	Castors	Bracket Pt.	Inserts/Fly Points
<b>Nd215</b>	8 off	No	2 off	Dolly	No	Integrated fly system

**Note:** (1) Sensitivity measured at 1 metre with 2.83V, using band limited pink noise.